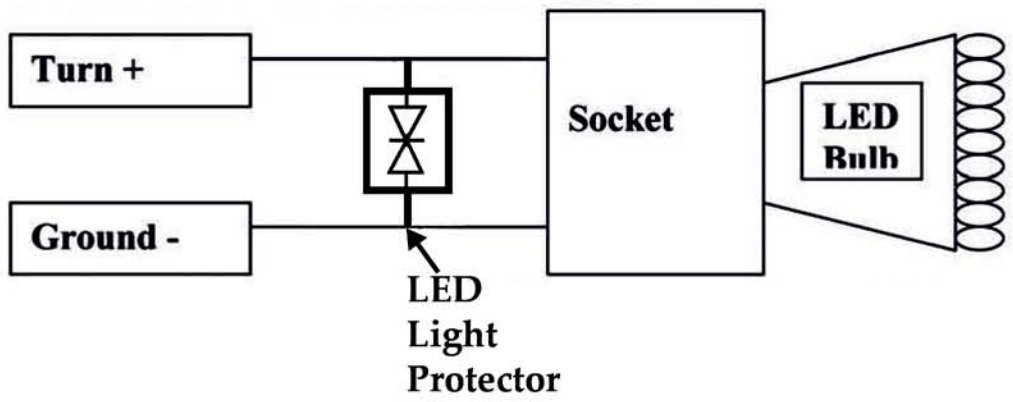


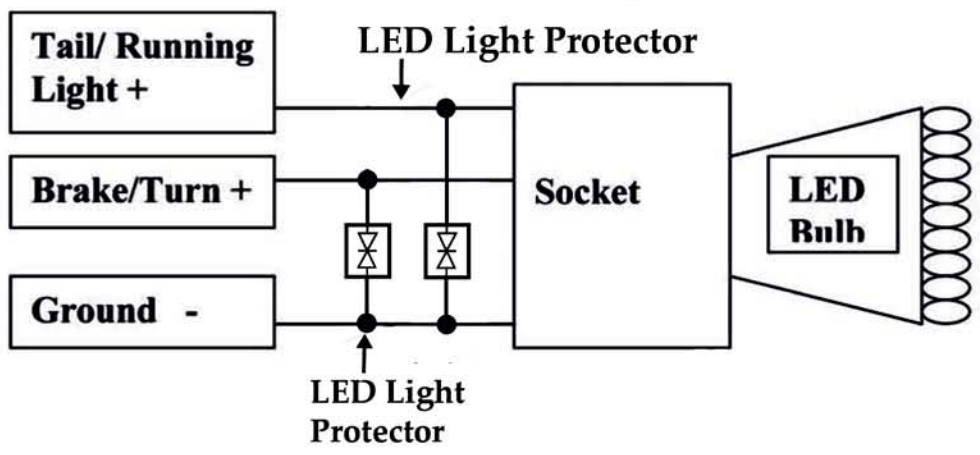


LEDLight Protector

1156, 7440 and 3156 Installation Drawing:



1157, 7443 and 3157 Installation Drawing:



Please use the supplied connectors to connect the LED Light Protector to the vehicle wiring.